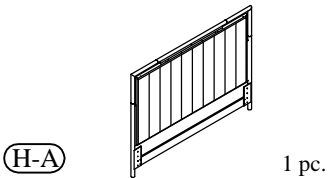


Warning :

- Be sure to check all packing material carefully for small parts, which may have come loose inside the carton during shipment.
- To prevent possible scratches and damage, this furniture **MUST BE ASSEMBLED BY TWO PEOPLE** on a soft surface such as a blanket or carpet.

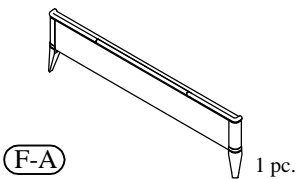
Hardware and Parts packed with the Headboard

King Panel Headboard 50380

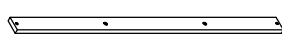


Hardware and Parts packed with the Footboard

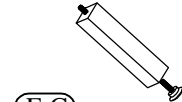
King Panel Footboard 50381



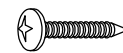
Wood Slats 77" long



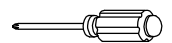
Support Leg
(D) 7-3/4" x (W) 1-1/4" (H) 1-1/4"



Wood Screw #8 x 1"

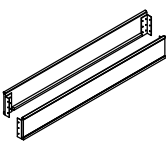


Screw Driver
not included



Hardware and Parts packed with the Bed Rail

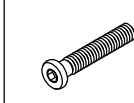
Bed Rails 50372



Allen Head bolt
ø5/16-18 x 1"



Allen Head Bolt
ø5/16-18 x 1-3/4"



Spring Washer
ø5/16"



Flat Washer
ø5/16" x 16*2mm



Hex Nut ø5/16



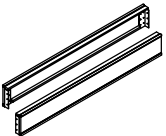
Open Wrench
12mm



Allen Key 5mm



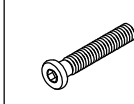
Bed Rails 50382



Allen Head bolt
ø5/16-18 x 1"



Allen Head Bolt
ø5/16-18 x 1-3/4"



Spring Washer
ø5/16"



Flat Washer
ø5/16" x 16*2mm



Hex Nut ø5/16



Open Wrench
12mm



Allen Key 5mm



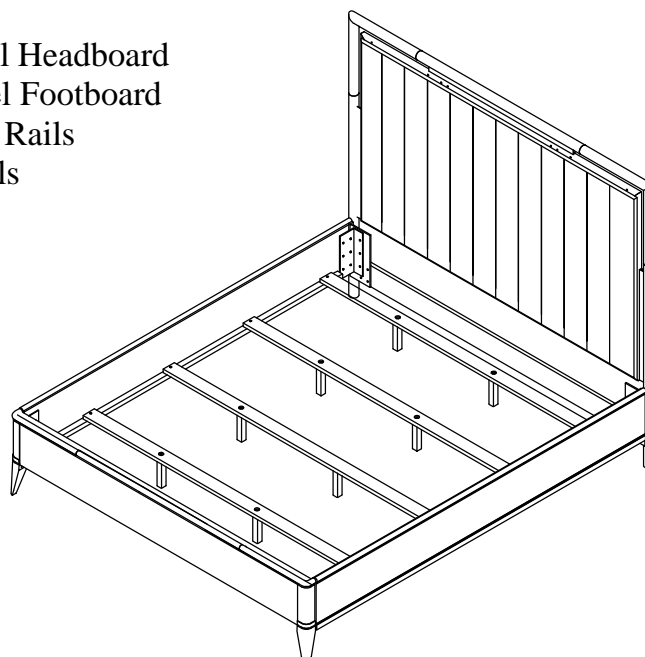
6/6-6/0 King Bed

50380 -- 6/0-6/6 King Panel Headboard

50381 -- 6/0-6/6 King Panel Footboard

50372 -- 5/0-6/6 Panel Bed Rails

50382 -- 6/0 Panel Bed Rails



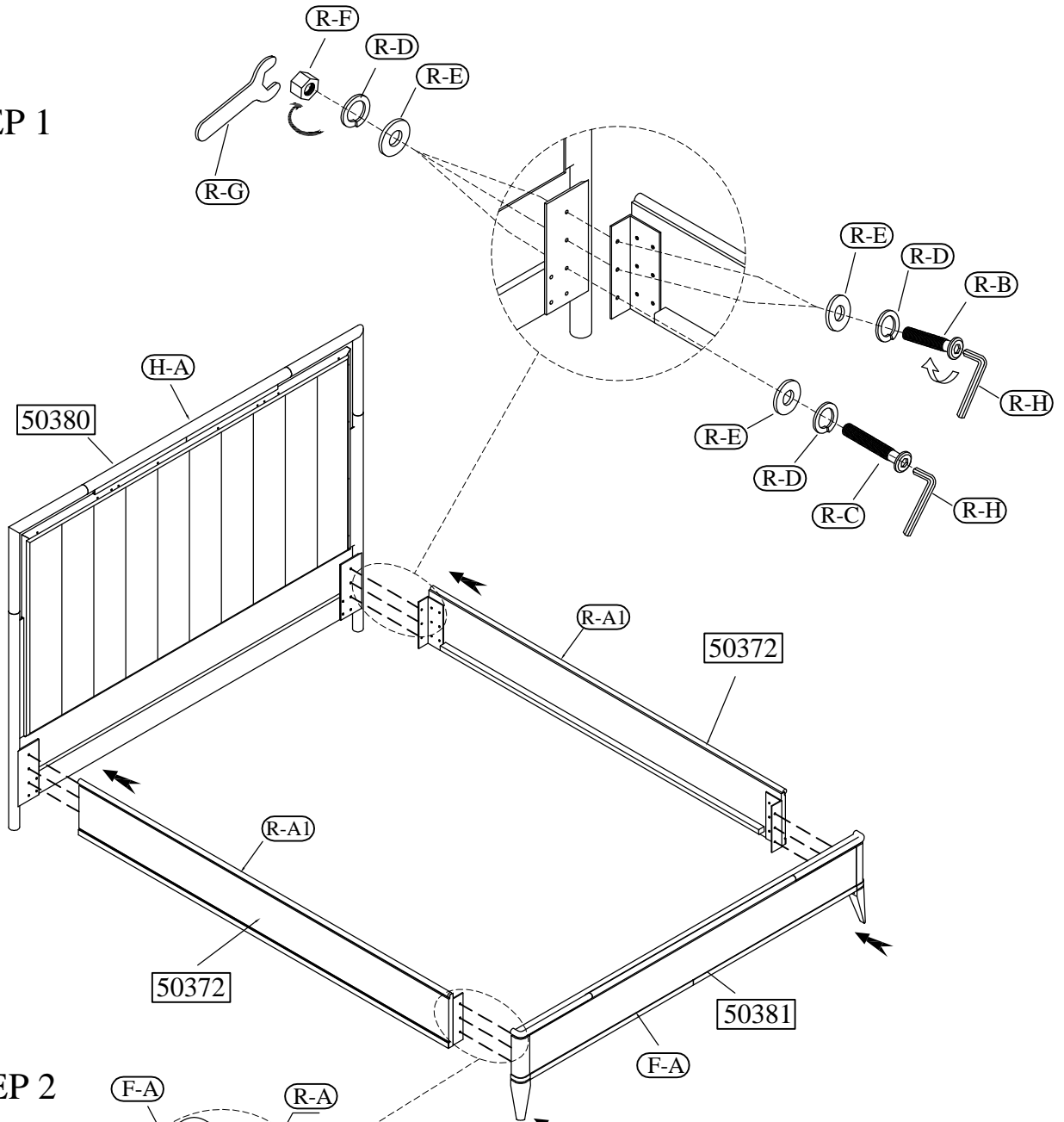
6/6-6/0 King Bed

50380 -- 6/0-6/6 King Panel Headboard

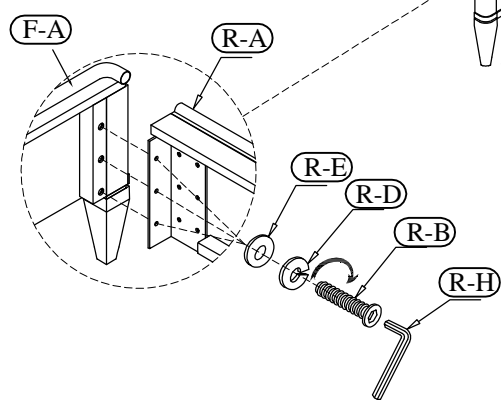
50381 -- 6/0-6/6 King Panel Footboard

50372 -- 5/0-6/6 Panel Bed Rails

STEP 1



STEP 2



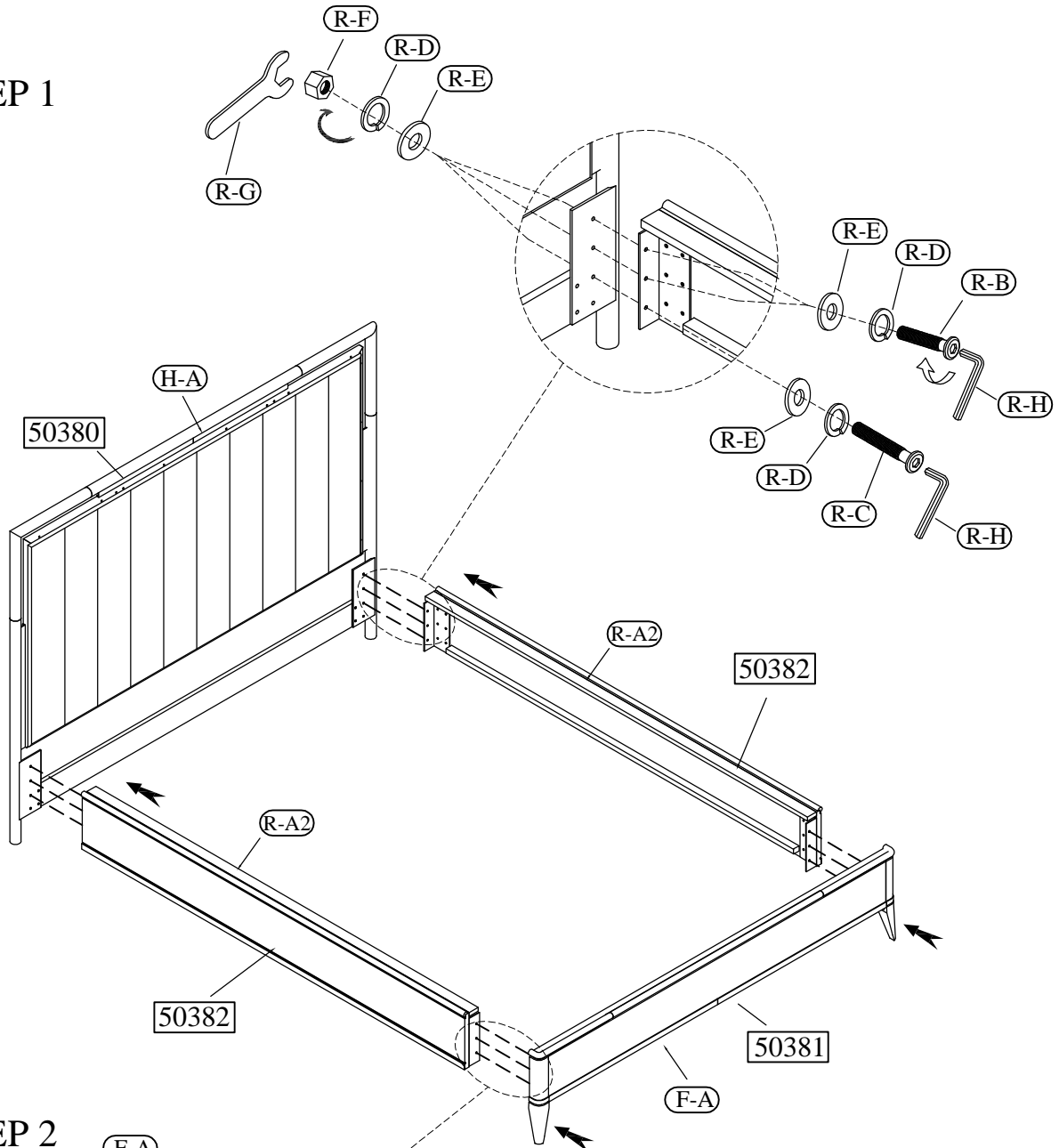
6/6-6/0 King Bed

50380 -- 6/0-6/6 King Panel Headboard

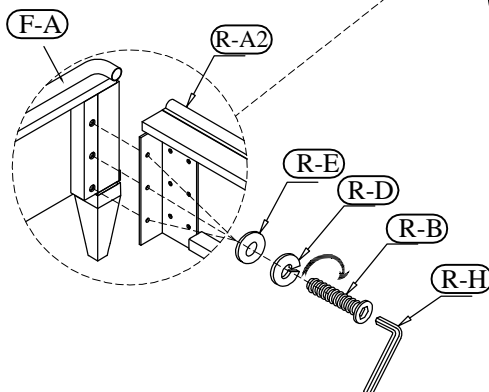
50381 -- 6/0-6/6 King Panel Footboard

50382 -- 6/0 Panel Bed Rails

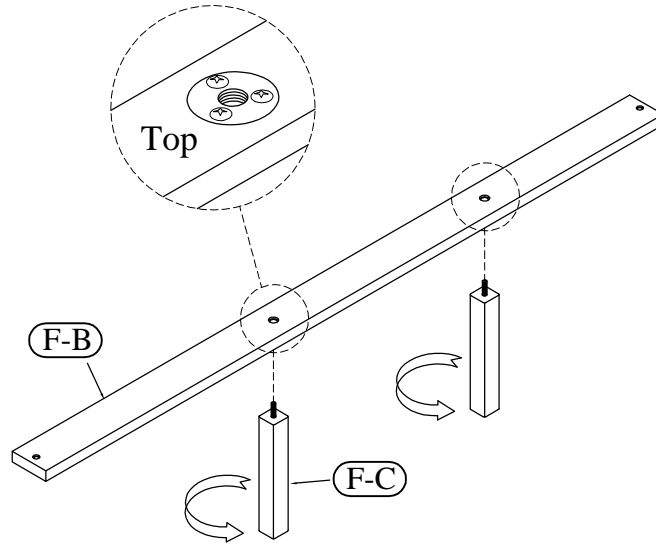
STEP 1



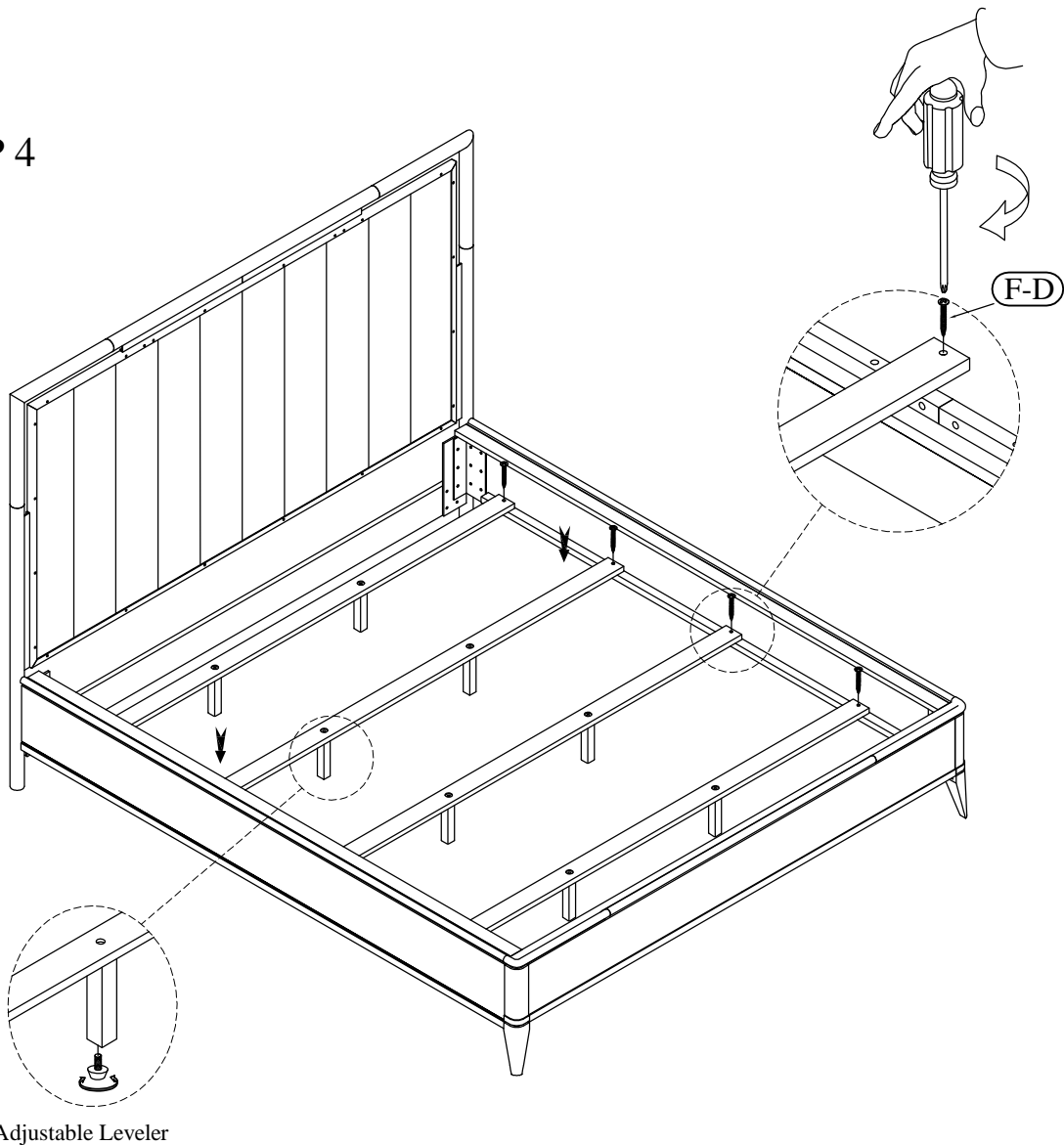
STEP 2



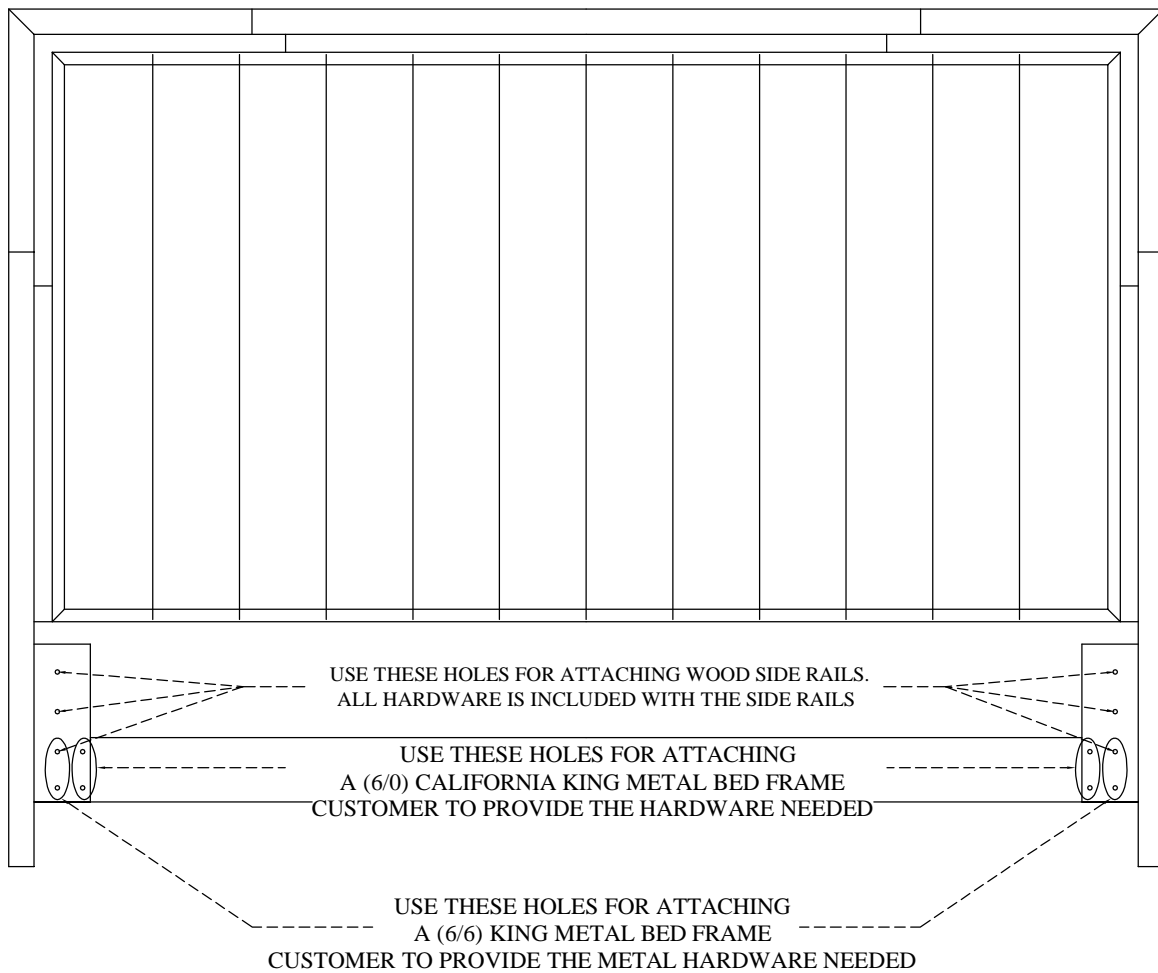
STEP 3



STEP 4



6/6-6/0 King Panel Bed
50380 -- 6/0-6/6 King Panel Headboard



**THE HEADBOARD MAY BE USE ALONE WITH
A CALIFORNIA KING OR A STANDARD KING
SIZE METAL BED FRAME.**